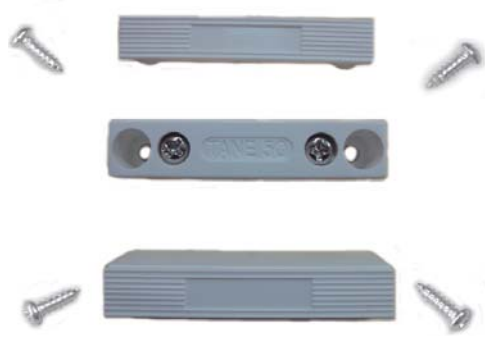


# TANE-50

# SURFACE MOUNT CONTACTS

1.91"Lx.43"Wx.63"H Surface Mount Quick Connect Type



Contact Size: 1.91"Lx.43"Wx.63"H

(48.5mmx11mmx16mm)

Standard Magnet Size: 2"Lx.37"Wx.63"H

(48.5mmx9.5mmx16mm)

Standard Gap: .75"(19mm)

Colors: White, Brown

## Specifications

Part Number	Gap Inch(mm)	Loop Open/Closed	Reed Form	Max. Contact Rating (W)	Max. Initial Contact Resistance (mΩ)	Max. Switching Voltage (V)	Max. Switching Current (A)
TANE-50	.75"(19)	CLOSED	Normally Open	10	100	AC110/DC100	0.5
* TANE-51B Special Order	.63"(16)	OPEN	Normally Closed	3	100	AC30/DC30	0.2

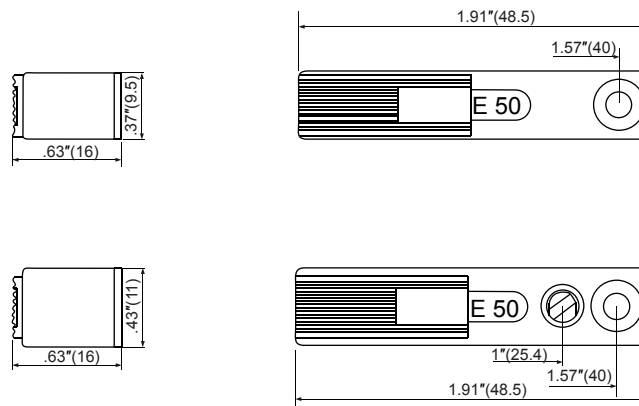
OPERATING TEMPERATURE:-40°C to +60°C

\*SPECIAL ORDER - Call for Min. Order Qty. - Leadtime - Pricing

## Outline Dimensions

Unit: inch(mm)

### TANE-50/TANE-51B



The Best Guarantee Since 1984 : \$50-1

## TANE ALARM PRODUCTS

906 JERICO TURNPIKE, NEW HYDE PARK, NY 11040

Tel: 800-852-5050 • 516-328-3351 • Fax: 516-326-9125

www.tanealarm.com • E-MAIL: info@tanealarm.com